

GHG-JH Soft Close Damper Hinge

Features

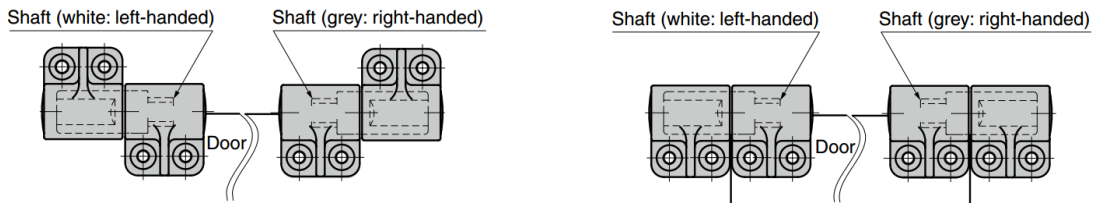
- Hinge with built-in damper provides soft-close motion
- Smooth movement in the opening direction
- Left-handed damper works when rotating counter-clockwise
- Right-handed damper works when rotating clockwise
- Components for installation to aluminium frame are available for order

Notes

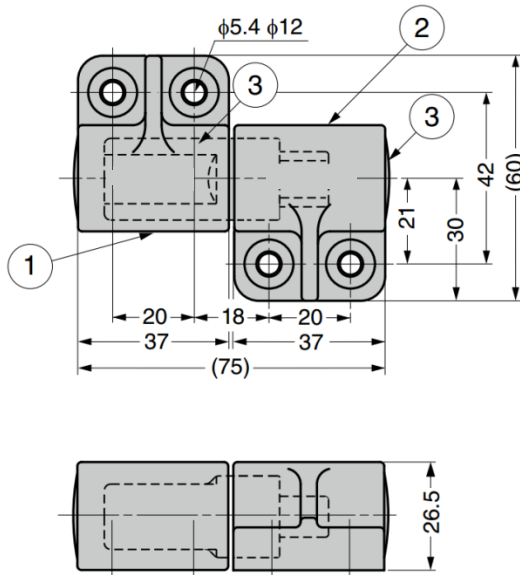
- Sold in pairs
- Torque range (below) is the value when using two hinges for one door
- Install a stopper at the lid opening / closing position if required to limit swivelling range to suit application
- Ensure both hinge shafts are levelled and aligned during installation



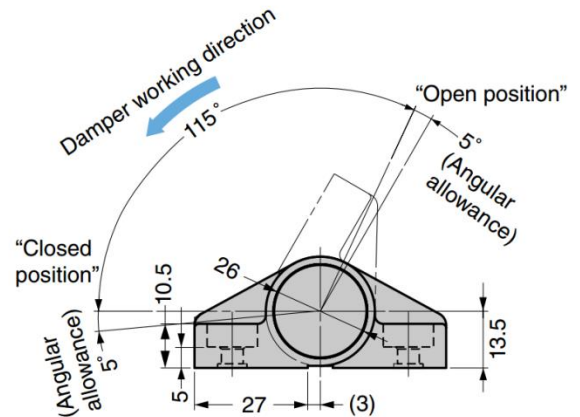
Installation



When viewing door from lower side as shown above, install the left-handed type damper (white) on the left side and the right-handed type (grey) on the right side.



Left-handed type shown.



No.	Part Name	Material	Finish / Colour
①	Bracket	PBT	Emboss/Dark Grey
②	Damper		
③	Cap	PP	

Part No.	Marking Colour (Base Side)	Torque (per pair)	
GHG-JH25	Blue	3.0 ~ 5.0 N.m	30.6 ~ 51.0 kgf.cm
GHG-JH35	Red	5.0 ~ 7.0 N.m	51.0 ~ 71.4 kgf.cm